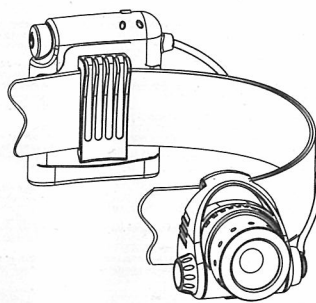
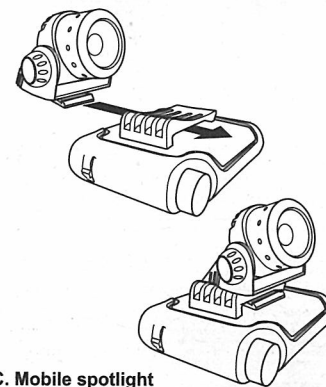


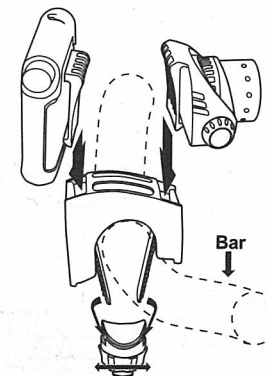
**A. Headlamp**



**B. Belt lamp**



**C. Mobile spotlight**



**D. Bracket lamp**

## English

Thank you for choosing one of our products.  
To familiarize yourself with this product, please read the following instructions.

**Item**  
LED LENSER  
7499 Led Lenser H14  
7872 Led Lenser H14 blister

**Version** 1.1

**Battery set**  
4XAA alkaline battery (Item No. 7720)

**Putting into operation**  
Dispose the plastic foil, the cable straps and the bag with silica gel (protection against moisture during transport). The length of the head belt is adjustable.

### Turning the headlamp ON and OFF

To control the headlamp ON and OFF and to choose the 3 light programs etc., push the button at the right side of the battery box. The headlamp and the LED at the battery box will turn ON at the same time. When using on the road, please follow the state regulations on road traffic signals.

### Usage function

This item has several usage methods:

- Headlamp**
- Belt lamp:** Take out the headlamp belt, put both lamp head and battery box onto the strap by using the clips.
- Mobile spotlight:** Lamp head and battery box combined, build up to a mobile spotlight.
- Bracket lamp:** Some packages include a headlamp holder. The enclosed headlamp holder fits to standard tubes/bars. The headlamp can be clamped on the holder as a bracket lamp.

The H14 is equipped with our Smart Light Technology (SLT). By using a micro-processor the illumination of the H14 is controlled, and different light programs and light functions can be used. Due to a single button, the interface features a simple, user friendly design which means that the operator can always activate the light on the max. brightness setting. The headlamp has various different light output functions. There are two Energy Modes, three light programs and eight light functions. The button at the right side of the battery box is used to turn the device ON and OFF and to choose between the different modes. There are three ways of using the button. a) You can switch, b) you can touch (the button is lightly pressed just once without being fully depressed and the headlamp retains its previous setting when the button is released) and c) you can keep it touched.

### Energy Modes

By choosing master mode of Energy Saving or Constant Current you take a decision concerning the way of using the energy of the batteries.

- Energy Saving:** This mode allows the headlamp to control the light output by its built in Smart Light Technology (SLT). The light output will be adapted to the real life behaviour of normal headlamp usage.
- Constant Current:** This mode allows the continuous use of all light programs with constant light output, just regulated by the built in control unit.  
In both Energy Modes the brightness of the light function Boost and Power (100%) remains at a constant level for approximately 2 minutes and then drops in the following 5 minutes in the Constant Current Mode to approx. 60% of the brightness and to approx. 50% in the Energy Saving Mode. 60% in the Energy Mode Constant Current remain until the battery is empty. 50% of the maximum brightness in the Energy Saving Mode remain for approx. 25 minutes and then drop to 15%. This 15% brightness remains until the battery is empty. To change between the two Energy Modes you have to touch the button 8 times and then press the button fully within 5 seconds.  
If you change to the Energy Mode Energy Saving the headlamp indicates this by starting bright and dimming down until it turns off after 3 sec.  
If you change to the Energy Mode Constant Current the headlamp indicates this by starting bright and turning off suddenly after 3 seconds.

### Light programs and light functions

You can choose one of the three light programs (1. Professional, 2. Easy and 3. Defence) and the light functions. When the headlamp is off, touch the button 4 times and then turn the headlamp on. Once the activation is successful the headlamp will confirm your choice by flashing the number of the corresponding activated light program.

#### 1. Professional:

When you are in this light program the headlamp starts with the light function Power (100%) when it is switched on, just like in all other three light programs. Then you have two options. You can touch the button to activate the 15% brightness of the light function Dim. Alternatively keep the button touched for continuous dimming and choose the required brightness by releasing the button. Continuing to touch the button will eventually take you to the other light functions of this light program. First comes the light function Blink (3Hz), then S.O.S. and finally Defence Strobe (20Hz). As the sequence of the light functions in all light programs revolves, the next time you touch the button you return to the light function Power (100%).

As in all other light programs for turning off the headlamp you only need to press the button, no matter which light function you are currently in.

#### 2. Easy:

We included the light program Easy for all the users who prefer a very easy light program without too many light functions. As in the light program Professional the light program Easy starts with the light function Power (100%) and then you have two options. You can touch the button to activate the 15% brightness of the light function Dim. Alternatively keep the button touched for continuous dimming and choose the required brightness by releasing the button. In the light program Easy, there are no other light functions so you return to the light function Power (100%) by touching the button again. The sequence of light functions revolves and to turn off the headlamp simply press the button.

#### 3. Defence:

We included this light program for all users who prefer a very simple light program with fast access to the light function Defence Strobe. The only difference between the light program Defence and Easy is that the light function Dim has been replaced by Defence Strobe (20Hz). The sequence of the light functions revolves when you touch the button and you turn the headlamp off by simply depressing the button.

#### Light function Boost

When the headlamp is in OFF-position, touch the button to use the light function Boost. Boost is independent of the activated light program.

#### Focus and light position

The headlamp can be focused by using the Speed Focus function. To adjust the beam, simply pull or push the head of the headlamp with your fingers forward or backward. Turning the lamp head up and down between 0° and 90°, you can choose the light position you need.

#### Replacing the battery

It doesn't matter which Energy Mode you choose, 5-15 minutes before the battery energy empty, the LED at the head of the headlamp will signal low batteries by blinking with 3Hz 3 times every 10 seconds. It needs to change batteries. To replace the battery, switch off the headlamp and open the battery box cover according to the instruction of OPEN sign at the bottom of battery box. Take out the used batteries and dispose of it correctly. Insert the new batteries according to the polarity marks (+) and (-). Close the battery box cover (see details from attached drawings).

#### Battery

After having put in all batteries, the circuit system will start to control. The LED at the head of the headlamp will flash one time. Never try to use fresh and used batteries together. Only use alkaline batteries for H14. Always change all batteries at the same time and use high quality batteries and of the same type only. If you intend to not use the headlamp for a long period of time, take the batteries out to prevent them from leaking and damaging the headlamp. Discharged batteries should also be removed. Used batteries are hazardous waste and must be disposed of, according to government regulations.

#### Battery energy indication

- From the LED indicator on the battery box, you can also find the battery energy status. When using, the LED indicator will change its colours according to the battery energy.  
Green ON - battery energy is full  
Orange ON - battery energy is normal  
Red ON - battery energy is shortage
- 5-15 minutes before the battery energy empty, the LED at the head of the headlamp will signal low batteries by blinking with 3Hz 3 times every 10 seconds. Please change the batteries in time.

#### Maintenance and cleaning

Clean this lamp and all accessories only with a dry and non-fluffy, soft cloth. If a cable or electric connection is damaged, put this device immediately out of use.

#### Attention!

When you reinsert the batteries into the battery box, you must insert them according to the plus (+) and minus (-) marks inside the battery box. If you insert batteries the wrong way, there may be the risk of damage or explosion! Used batteries are hazardous waste and must be disposed according to legal regulations.

#### Safety advice

Do not let the light shine directly in someone's eyes. If the light beam shines directly in your eye, look away immediately. Do not use any magnifying instruments with this headlamp that could concentrate the light beam.  
If used for commercial purposes, the headlamp should only be used in accordance with any local laws and regulations.

Advice: The components in the lamp can respond sensitively to high electrostatic discharge. That can cause light fluctuations so far that the lamp may be switched off.